

Z540 12-1/4" MEDIUM-DUTY DRAIN WITH SUR-SET BUCKET



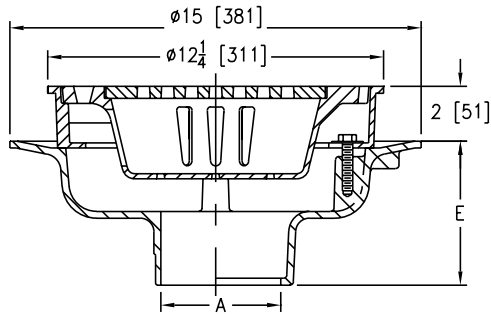
ENGINEERING SPECIFICATION

Zurn Z540 12-1/4" diameter top drain features Dura-Coated cast iron body with bottom outlet, seepage pan, and combination membrane flashing clamp and frame for Sur-Set bucket and medium-duty, slotted grate.

NOTES

†Add 3/16" to 2" dimension and 3/4" to 12-1/4" dimension for ZN

A Pipe Size inch [mm]	Grate Open Area sq in [cm ²]	Approximate Weight lb [kg]
2 [51], 3 [76], 4 [102]	18 [116]	44 [20]
6 [152]		45 [20]
8 [203]		46 [21]



PREFIXES	DESCRIPTION	PIPE SIZE	LIST PRICE
Z540*	D.C.C.I. Body and Top	2", 3", 4", 6"	1,501.00
		8"	1,808.00
ZN540	D.C.C.I. Body with Polished Nickel Bronze Top	2", 3", 4", 6"	2,222.00
		8"	2,525.00

OUTLETS (SPECIFY PIPE SIZE IN INCHES AND TYPE OF OUTLET)			
OUTLET TYPE	PIPE SIZE/OUTLET TYPE	E BODY HT. DIM.	ADD
IC	Inside Caulk	3IC, 4IC, 6IC	5-1/4" N/C
IG	Inside Gasket	3IG, 4IG, 6IG	5-1/4" N/C
NH	No-Hub	2NH, 3NH, 4NH, 6NH, 8NH	5-1/4" N/C
NL	Neo-Loc	2NL, 3NL, 4NL	4-5/8" N/C

SUFFIXES		ADD
-DG	Duresist Grate	217.00
-G	Galvanized Cast Iron	957.00
-P	Trap Primer Connection	150.00
Ⓢ -SA	Stabilizer Assembly (See Z1036)	148.00
Ⓢ -TC	Neo-Loc Test Cap Gasket (2", 3", 4" NL Bottom Outlet Only)	24.00
-TS	Top Secured with Slotted Screws	129.00
-VP	Vandal-Proof Secured Top	149.00

BEST SELLERS		LIST PRICE
Z540-3NH		1,501.00
Z540-3NL		1,501.00
Z540-4NH		1,501.00
Z540-4NH-P		1,651.00
Z540-4NL		1,501.00
ZN540-4NL-P-VP		2,521.00

Supplied By:



877-903-7246

www.commercialplumbingsupply.com